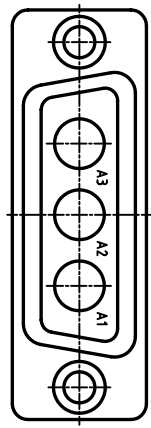
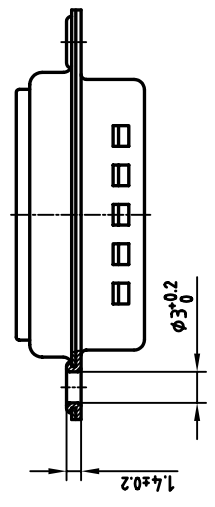
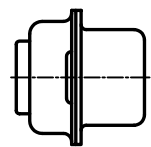
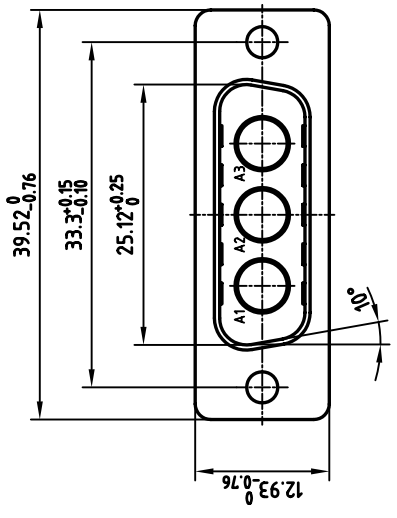
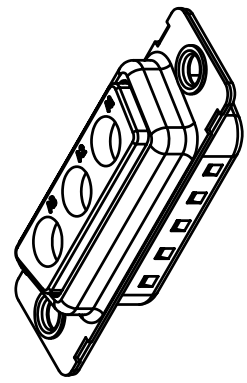
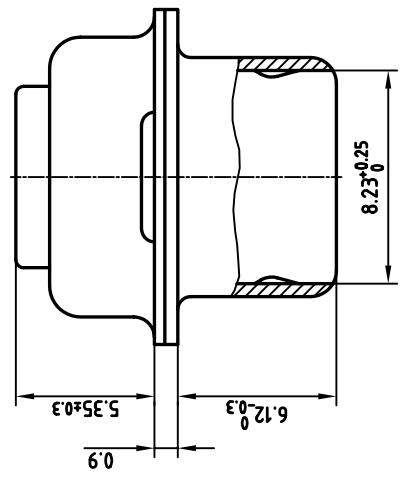


used for: D-SUB COMBINATION

5:1



Directive 2002/95/EC
„RoHS“
Compliant

NOTES:
1. METALSHELLS: STEEL; TIN PLATED
2. INSULATOR: PBT GF. UL 94 V-0; GREEN

THIS DRAWING MAY NOT BE COPIED OR REPRODUCED IN ANY WAY, AND MAY NOT BE PASSED ON TO A THIRD PARTY WITHOUT WRITTEN PERMISSION.
OWNERSHIP AND COPYRIGHT OF CONEC GMBH DO NOT ALTER CAD DRAWING BY HAND

rev.	description	date	name

tolerance	2:1 (5:1)
scale:	SEE NOTES
material:	
title:	D-SUB COMBINATION MALE 3W3P WITHOUT CONTACTS
dwg no:	13K2119A
CAD/REL:	14
DIN-A	3
sh.2/2	
product no:	3003W3PXX99A10X

